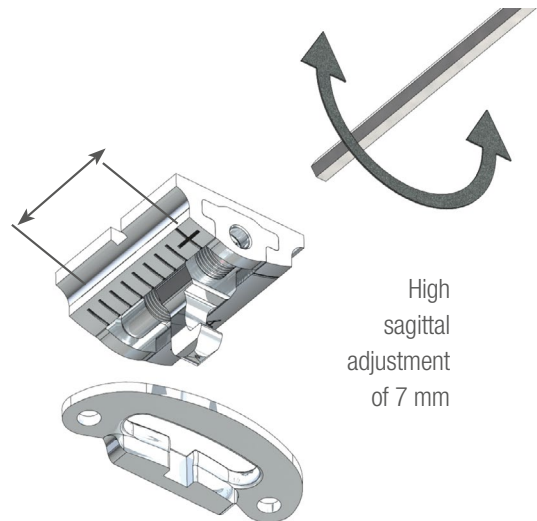


TAP®-T

The treatment of snoring and sleep apnoea with intraoral appliances such as the TAP® splint has become an acknowledged therapy in sleep medicine as an alternative treatment to respiratory masks (nCPAP). The constructive advantages of the TAP®-splint such as infinitely variable and lateral mobility guarantee reliable function and high patient comfort.



High sagittal adjustment of 7 mm

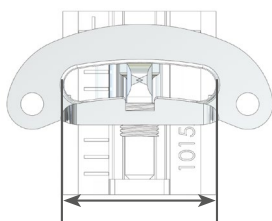
- // biocompatible titanium
- // nickel-free steel alloy
- // custom made
- // infinitely variable
- // lateral mobility
- // slender but break resistant
- // very comfortable to wear
- // long-standing clinical experience
(e.g. Chest, Vol. 116, Dec. '99, Pancer, Hoffstein Sleep, Vol. 25, April '02, Gerschmann)

The TAP®-T construction is based on this experience.

The dimensions of the components have been reduced considerably, allowing to totally integrate the protrusion adjustment unit inside the splint. Lip closure is now possible making the new TAP®-T-splint even more comfortable to wear.

The upper TAP®-T component is made of a nickel-free, biocompatible titanium alloy which has been widely used for implants. The lower guiding device is made of high-strength nickel-free steel alloy.

High lateral mobility of 17°/7.5 mm



upper splint



lower splint

CE www.tap-splint.com

